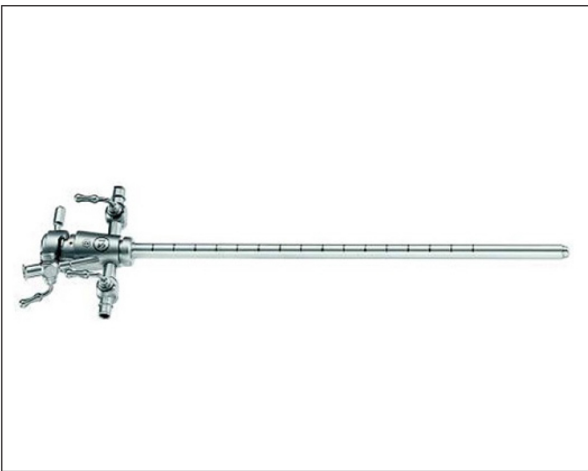


ENDOSCOPIC ACCESSORIES

OPTICAL URETHROTOME SHEATH

- Optical Urethrotome Sheath is used to incision of the Urethra during Urethrotomy procedure.
- 21 Fr Optical Urethrotome Sheath is used in Urethrotomy Procedure.
- Optical Urethrotome Sheath comes with Obturator.



FEATURES :

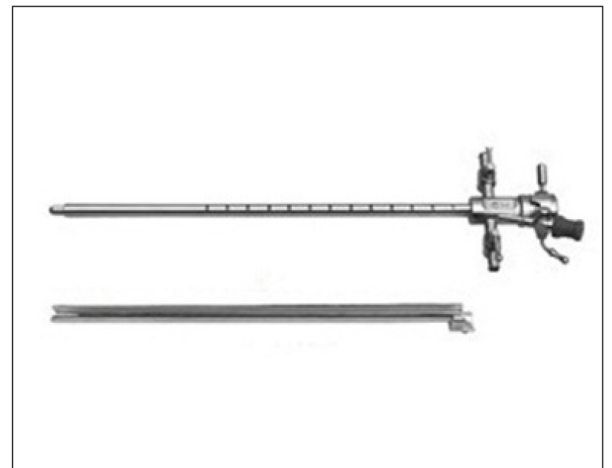
- Good Locking System.
- Tapered ends and assist in penetration.
- With 2 fixed stopcocks.
- Precise design.
- Anti-corrosive.

OPTICAL URETHROTOME SHEATH WITH HALFMOON

- Optical Urethrotome Sheath is used to incision of the Urethra during Urethrotomy procedure.
- 21 Fr Optical Urethrotome Sheath is used in Urethrotomy Procedure.
- Optical Urethrotome Sheath comes with Obturator.

FEATURES :

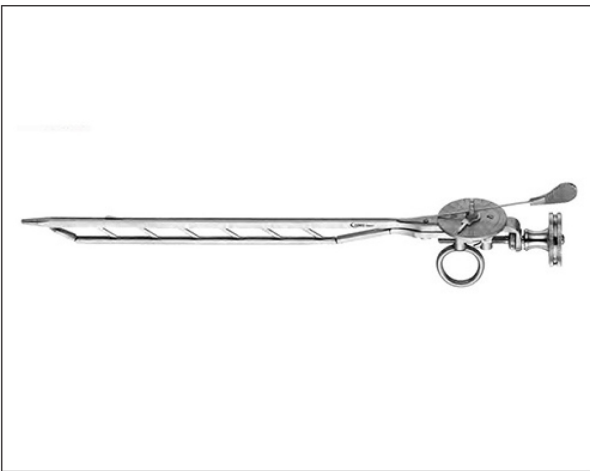
- Good Locking System.
- Tapered ends and assist in penetration.
- With 2 fixed stopcocks.
- Precise design.
- Anti-corrosive.



ENDOSCOPIC ACCESSORIES

OTIS URETHROTOME

- An Otis urethrotomy is the blind transurethral incision of the urethra by an Otis urethrotome.
- After insertion of the Otis urethrotome, the urethra is dilated to the desired width and a blade cuts the stretched urethra at the 12 o'clock position.
- OTIS Urethrotome is also called as Blind Internal Urethrotomy.



FEATURES :

- Anti-corrosive.
- Smooth finish.
- Strong construction.
- High performance.
- Precise design.
- Long lasting nature.